

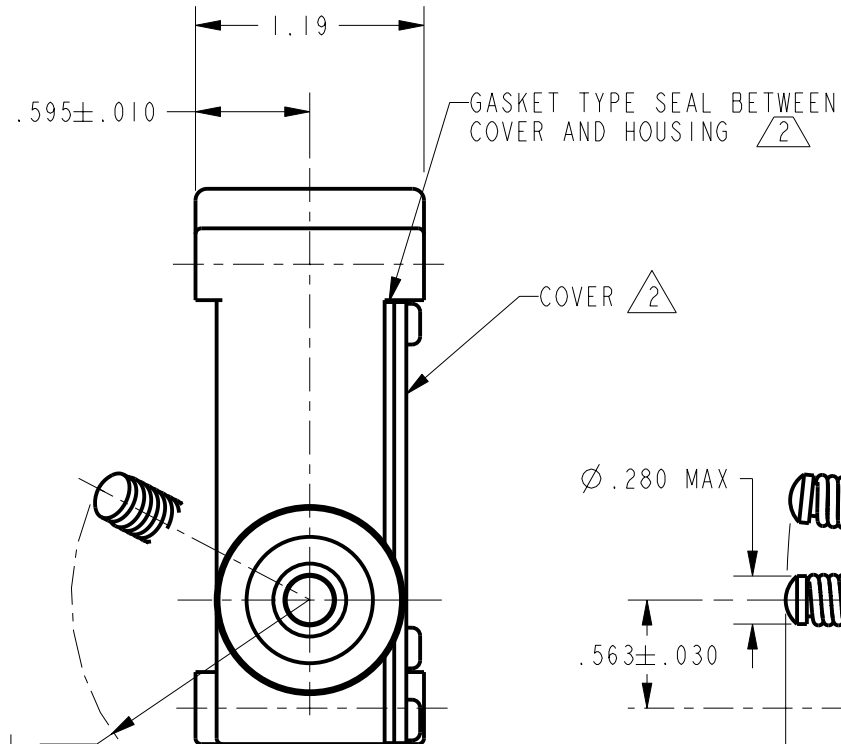
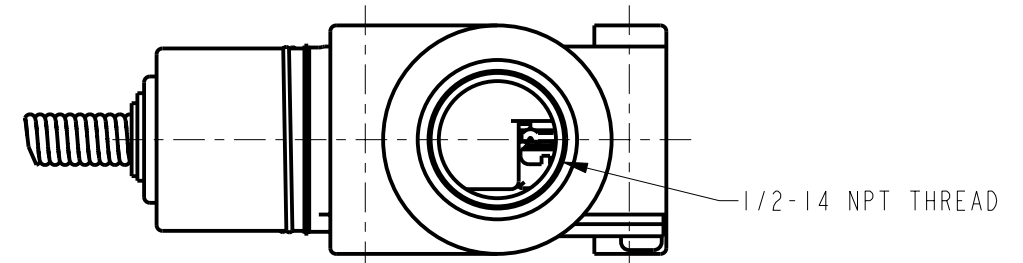
MICRO SWITCH
a Honeywell Division

FED. MFG. CODE 91929

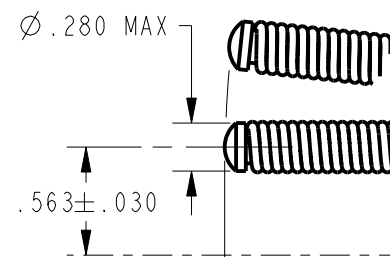
SWITCH-ENCLOSED

CATALOG LISTING

BFL1-AW1



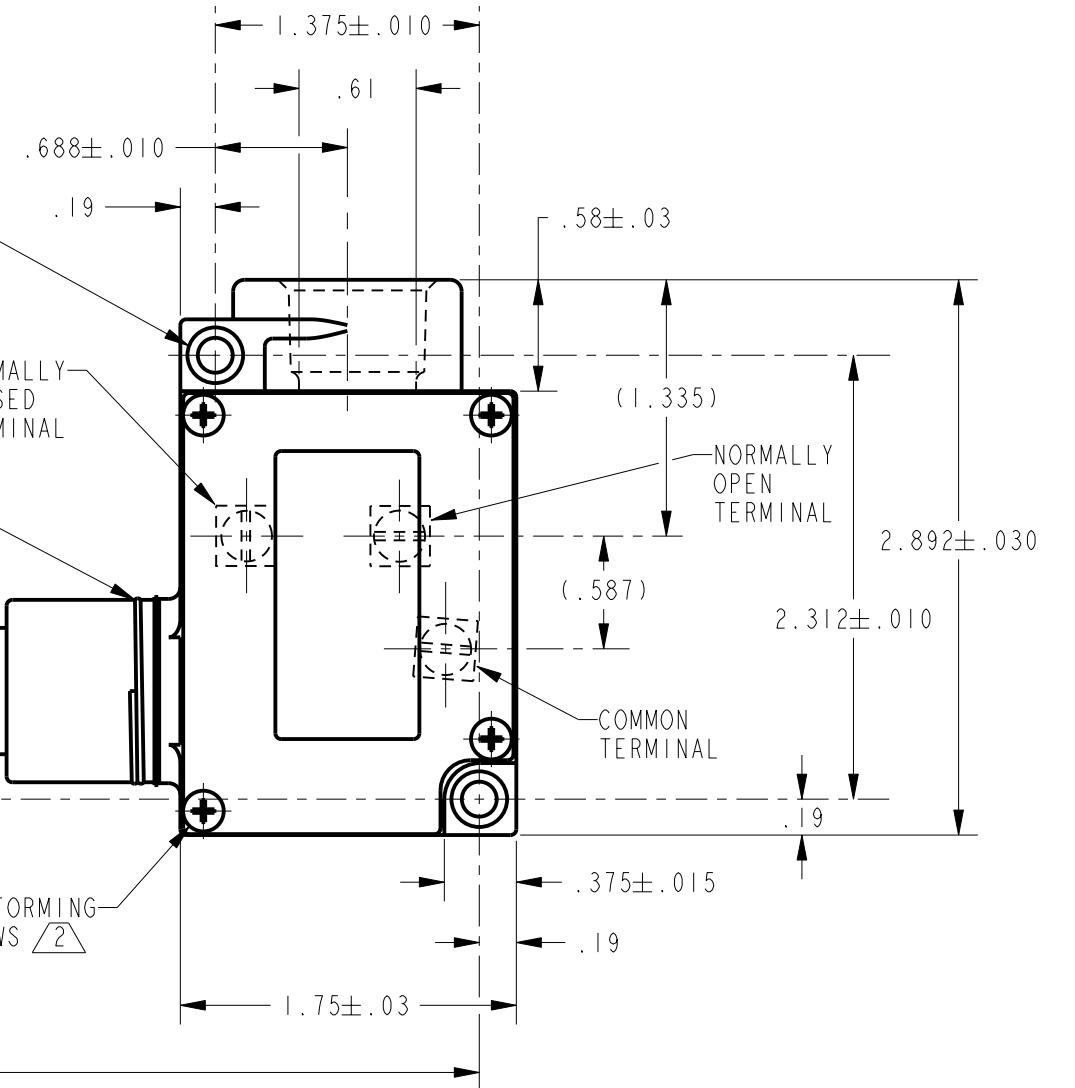
SWITCH WILL OPERATE BY MOVING ACTUATOR IN ANY DIRECTION EXCEPT DIRECT PULL



ELASTOMER PLUNGER SEAL SECURED TO COMPONENTS BY EXTERNAL BANDING

2X Ø.182 THRU WITH Ø.29 X .30 DEEP COUNTERBORE BOTH SIDES

4X #4 THREAD FORMING PAN HEAD SCREWS



BFL1-AW1
 CATALOG LISTING
 PAGE 1 OF 1
 REPLACES
 RELEASE NO. 203802
 ISSUE 1
 CHECK
 REVISIONS
 CHECK
 SAV 05SEP01
 CHECK
 SAV 05SEP01
 CHECK
 TRF 05SEP01
 DRAWN
 PTC/CAD 3D

THIS DRAWING COVERS A PROPRIETARY ITEM AND IS THE PROPERTY OF MICRO SWITCH, A DIVISION OF HONEYWELL. THIS DRAWING IS NOT TO BE COPIED OR USED WITHOUT THE APPROVAL OF MICRO SWITCH

CHARACTERISTICS
 OPERATING POSITION: 15° MAX
 OPERATING FORCE: 7 OZ MAX

ELECTRICAL DATA
 CONTACT ARRANGEMENT
 S P D T

L162
 5A 125, 250, 277 VAC
 1/10 HP 250 VAC



THIRD ANGLE PROJECTION	
SCALE	FULL
DO NOT SCALE PRINT	
UNLESS OTHERWISE SPECIFIED TOLERANCES ARE	
ONE PLACE	(.0) ±.030
TWO PLACE	(.00) ±.015
THREE PLACE	(.000) ±.005
ANGLES	±
WEIGHT	

NOTES
 1 - 3X 6-32 UNC PRESSURE PLATE TERMINAL SCREWS FURNISHED UNASSEMBLED
 2

ANSI Y14.5M-1982 APPLIES